



For swing gates with leaves up to 3 m.
Electromechanical gear motor, surface mounted.
Also available in 24 Vdc version, with magnetic encoder.
Ideal for residential use.

Reliable: durability thanks to the housing, made up of two tough aluminium shells with polyester paint finish; more resistant to atmospheric agents.

Internal moving parts completely in steel, light alloys and technopolymers.

Silent: patented layout of internal parts and lead nut in bronze.

Generously sized and practical connection compartment: rapid and easy access from above to internal parts located in the upper section of the motor.

Simple installation and maintenance; with built-in capacitor.

Recommended control units: Mindy A3, A3F, A6, A6F, A60, A700F; for TO4024 Moonclever MC824H.

24 Vdc version with magnetic encoder. Perfect for intensive use, compatible with the control unit Moonclever MC824H:

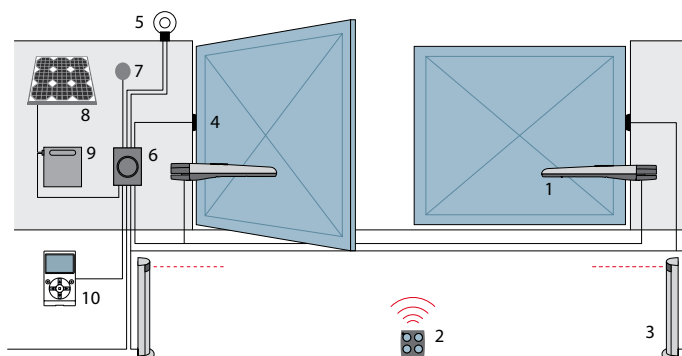
- simple programming, by means of a single key;
- self-learning of opening and closing limit positions;
- automatic fault diagnostics;
- programming of pause time;
- pedestrian pass door;
- deceleration on opening and closing;
- obstacle detection with dual technology;
- operation in event of power failure by means of optional rechargeable batteries (PS324);
- provision for connection of latest generation resistive sensitive edges.

Technical specifications

Code	TO4024	TO4005	TO4006	TO4015	TO4605
Electrical data					
Power supply (Vac 50 Hz)	-	230			
Power supply (Vdc)	24	-			
Absorption (A)	5	1.5		1.3	
Power (W)	120	340		300	
Performance data					
Speed (m/s)	0.016		0.013	0.016	
Force (N)	1800				
Work cycle (cycles/hour)	95*	58	54	50	
Dimensional and general data					
Protection level (IP)	44				
Working temp. (°C Min/Max)	-20 ÷ +50				
Dimensions (mm)	820x115x105 h				
Weight (kg)	6				

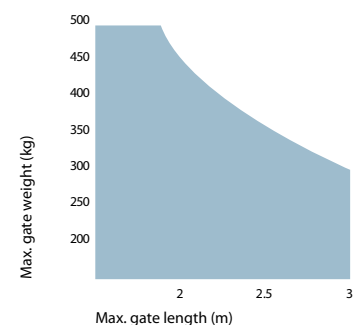
* With optimal installation.

Installation diagram



1. Toona 2. Transmitter 3. Photocells mounted on posts 4. Photocells 5. Flashing light 6. Control unit 7. Digital or key switches 8. SYP* solar panel 9. PSY24* battery box 10. O-View* multifunction display.
*Optional connection to Solemyo and Opera systems.

Utilisation limits



The shape, the height of the gate and the weather conditions can considerably reduce the values shown in the graph to the side. Use in windy areas 230 Vac models.